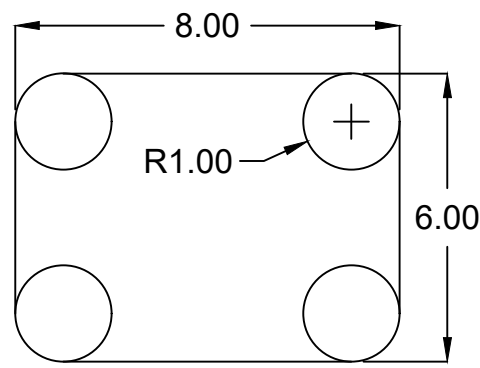
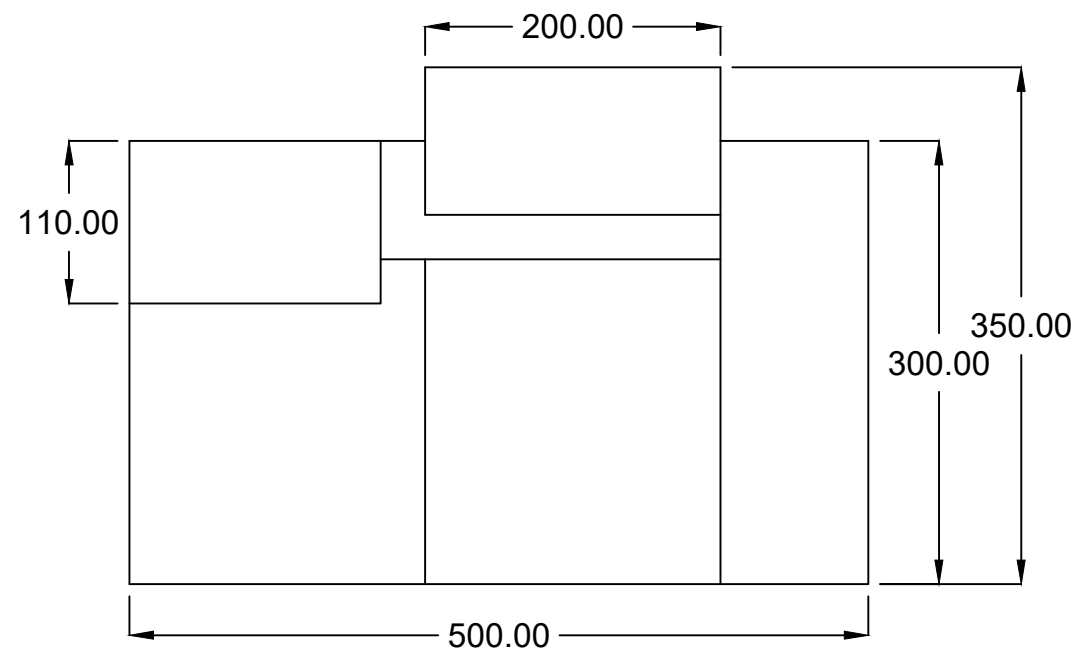


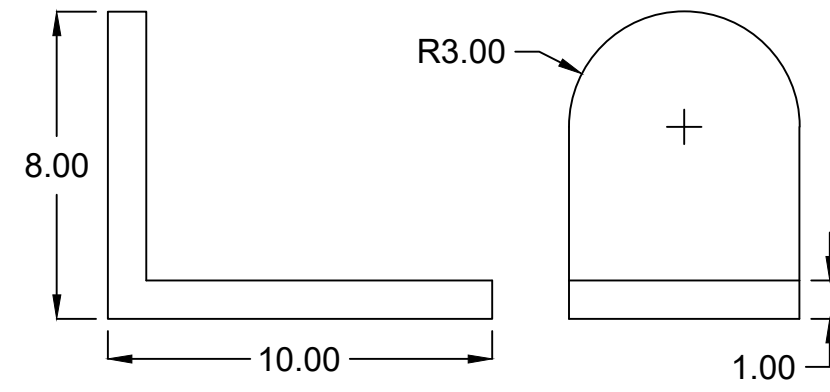
REVISIONS				
ZONE	REV	DESCRIPTION	DATE	APPROVED



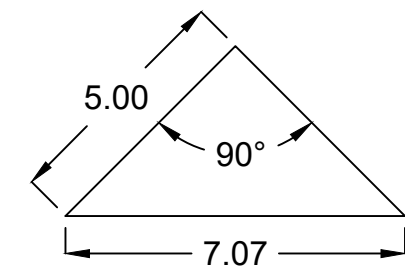
1 BASEPLATE  
Scale: 1:4



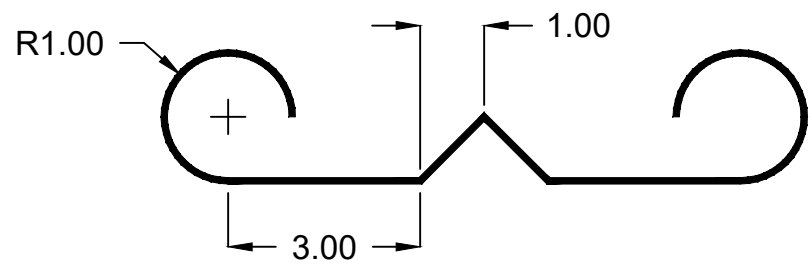
2 FLOOR  
Scale: 1:130



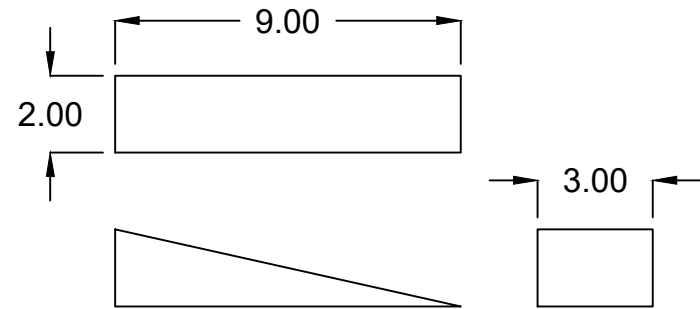
3 BRACKET  
Scale: 1:5



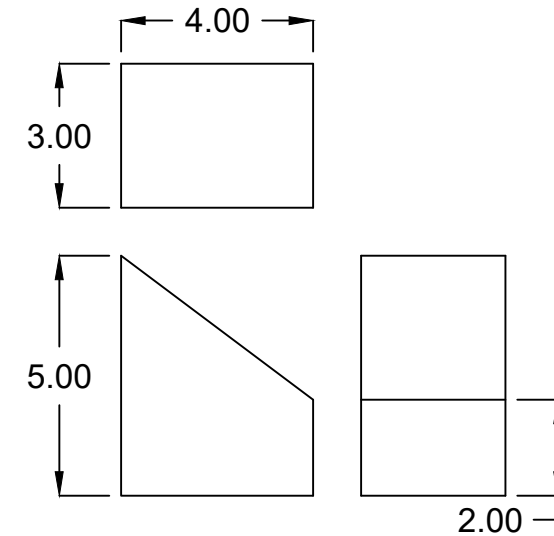
4 TRIANGLE  
Scale: 1:4



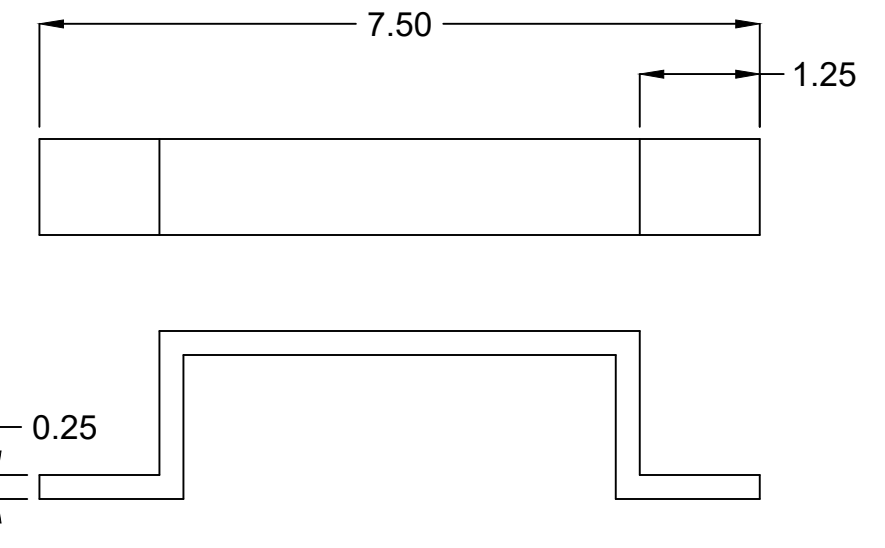
5 SWITCH  
Scale: 1:4



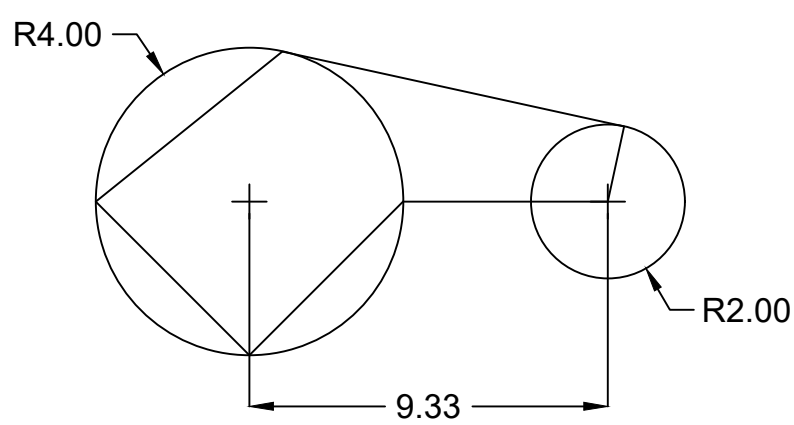
6 WEDGE  
Scale: 1:5



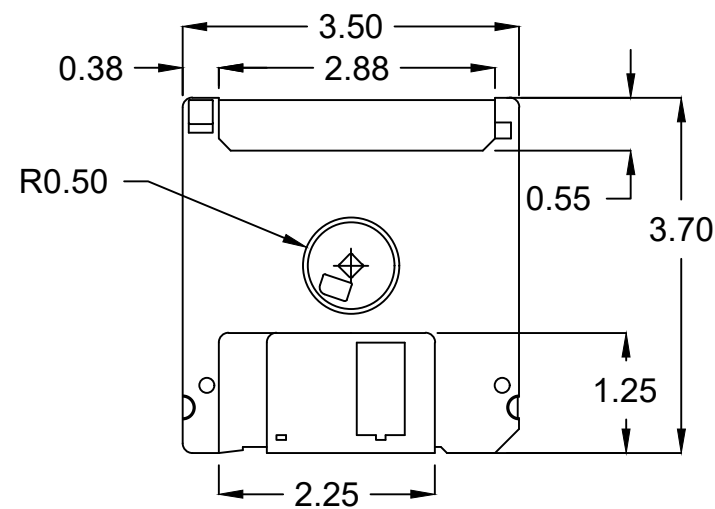
7 OBJECT  
Scale: 1:4



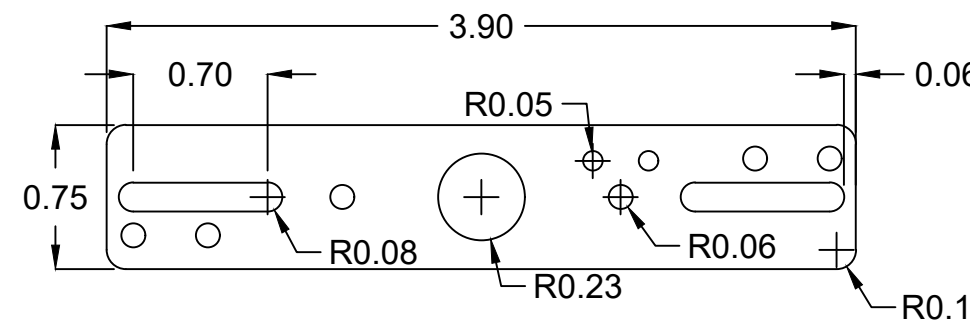
8 STEEL BRACKET  
Scale: 1:2



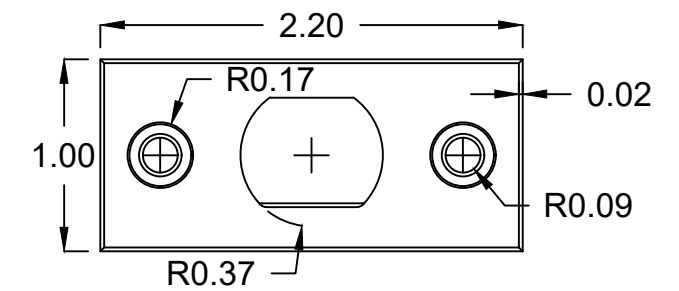
9 ARC TANGENT  
Scale: 1:5



10 DISKETTE  
Scale: 1:2



11 CROSS BRACE  
Scale: 1:1



12 LATCH FACE  
Scale: 1:1

DRAWN BY: COLIN MACFADYEN		SANTA BARBARA CITY COLLEGE - DRFT130 - SPRING 2025		
<b>CM</b>		DRAWING THREE		
DATE: APRIL 10, 2025	SIZE	FSCM NO.	DWG NO.	REV
APPROVED BY:	SCALE	SHEET		